

de

en

fr

it

nl

es

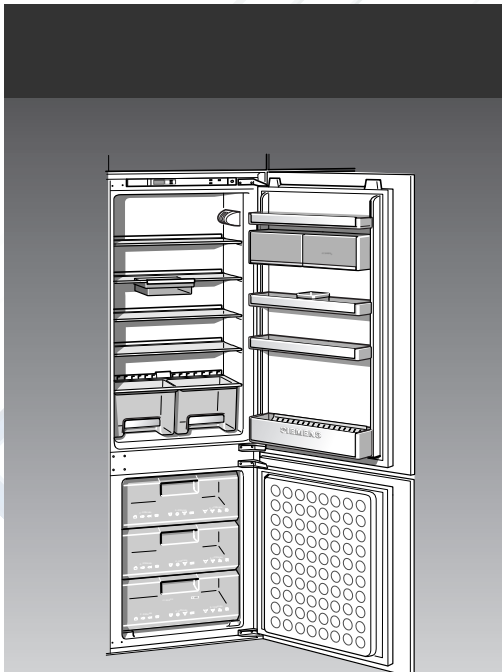
pt

el

tr

Gebrauchsanleitung
Instruction for Use
Mode d'emploi
Istruzioni per l'uso
Gebruiksaanwijzing

Instrucciones de uso
Instruções de Serviço
Οδηγίες χρήσεως
Kullanma talimatı



5700 001 070 (8407)

KI..E..

<http://rembitteh.ru/>

en Index

Instructions on appliance disposal	17	Rearranging the interior	22
Safety information	17	Usable capacity	23
Your new appliance	19	Storing of food	23
Fascia	19	Freezing	24
Note ambient temperature and ventilation	21	Freezing food	24
Connecting the appliance	21	Thawing and cleaning the appliance . . .	25
Switching on the appliance	22	Tips for saving energy	26
Switching off and disconnecting the appliance	22	Operating noises	26
		Eliminating minor faults yourself	27
		Customer service	28

Instructions on appliance disposal

Disposal of your old appliance

When replacing your old appliance with a new one, please comply with the following:

Old appliances are not worthless rubbish. Valuable raw materials can be reclaimed by recycling old appliances.

Render your old appliance unusable:

1. Pull out the mains plug,
2. Cut off the power cord and discard with mains plug,
3. **To prevent children from locking themselves in the refrigerator and suffocating, REMOVE THE LOCK.**

Professional disposal is required for refrigerants in refrigeration appliances and gases contained in the insulation. Ensure that refrigeration tubing and coils are not damaged or punctured prior to their proper disposal.

Disposal of packaging

Warning:

Keep children away from the shipping carton and packaging components. Danger of suffocation from folding cartons and plastic film.

You received your new appliance in a protective shipping carton. All packaging materials are environmentally friendly and recyclable. Please contribute to a better environment by disposing of packaging materials in an environmentally-friendly manner.

Please ask your dealer or inquire at your local authority about current means of disposal.

Safety information

Before switching on the appliance

Please read the operating and installation instructions carefully. They contain important information on how to install, use and maintain the appliance.

The manufacturer is not liable if you fail to comply with the instructions and warnings in the operating manual. Please retain these operating and installation instructions as they may be required by a subsequent appliance user.

Installing and connecting the appliance



Warning!

- The appliance contains a small quantity of the environmentally-friendly but flammable refrigerant R600a. Ensure that the refrigeration tubing is not damaged during transportation and installation. Leaking refrigerant may cause eye injuries or ignite.

If refrigerant is leaking out:

- Avoid naked flames and ignition sources near the leakage.
- Unplug the appliance and ventilate the room for several minutes.

The more refrigerant in an appliance, the larger the room must be in which the appliance is situated. If a leak occurs in a room which is too small, a flammable gas-air mixture may occur.

The room must be at least 1 m³ per 8 g of refrigerant. The amount of refrigerant in your appliance is indicated on the rating plate inside the appliance.

In an emergency

- Wash eyes and call a doctor.
- Keep ignition sparks and naked flames away from the appliance.
- Pull out the mains plug and ventilate the room thoroughly for several minutes.

Using the appliance

- In the following cases remove the mains plug or switch OFF the fuse:
 - Defrosting
 - Cleaning

Do NOT pull out the plug by tugging the mains cable.

- Repairs may only be performed by qualified customer-service technicians. Improper repairs may put the user in considerable danger.
- NEVER use electrical appliances inside the appliance (e.g. heater, ice-cream maker, etc).
- Do NOT stand or support yourself on the base, drawers or doors, etc.
- Bottles which contain a high percentage of alcohol must be sealed and placed vertically in the refrigerator.
- NEVER store products which contain flammable propellant gases (e.g. aerosols) or explosive substances in the appliance – **Explosion hazard!**
- Do NOT allow children to play with the appliance.
- If the appliance features a lock, keep the key out of the reach of children!

- NEVER use a steam cleaner to defrost or clean the appliance. Steam may come into contact with live components in the appliance and cause a short-circuit or an electric shock.
- Do NOT allow oil or fat to come into contact with the plastic components or door seal, otherwise the plastic parts and door seal could become porous.
- Do not store bottled or canned drinks (especially carbonated drinks) in the freezer compartment. Bottles and cans will explode.
- Do not put an ice lolly or ice cube directly from the freezer compartment into your mouth. **Risk of burns** from very low temperatures!
- Never touch frozen food with wet hands. Your hands could freeze to the food!
- Do not scrape off hoarfrost or stuck frozen food with a knife or pointed object. You could damage the refrigerant tubing. Leaking refrigerant may ignite or cause eye injuries.

General requirements

The appliance is suitable

- for refrigerating and freezing food,
- for making ice.

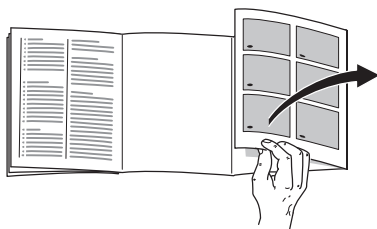
The appliance is designed for domestic use.

The appliance has been interference-suppressed in compliance with EU Directive 89/336/EEC.

The refrigerant circuit has been tested for leaks.

This product complies with the relevant safety regulations for electrical appliances (EXI 60335/2/24).

Your new appliance



Certain details, in particular appliance features, may vary depending on the appliance model.

Fig. 1

A = Refrigerator compartment

B = Freezer compartment

1-8 Fascia

9 Interior light

10 Shelves in refrigerator compartment

for cakes and pastries, ready meals, dairy products, meat and cold meats

11 Vegetable container

for vegetables, salads, fruit

12 Egg rack

13 Butter and cheese compartment

14 Shelf for tubes and small tins

15 Shelf for large bottles

16 Frozen-food calendar

17 Freezer drawer

Fascia

Fig. 2

1 Main switch On/Off

Switches the entire appliance on and off.

2 “~~⏻~~” button

If the warning signal is emitted (and Display 8 is flashing the temperature in the freezer compartment), it is **currently** too warm in the freezer compartment. The warning signal may be emitted without any risk to the frozen food

- when the appliance is switched on.
- if large quantities of fresh food are placed in the freezer compartment.
- and if the freezer-compartment door has been open for too long.

Press the “~~⏻~~” button to switch off the warning signal and the flashing display.

3 “super” button

Switches “fast freeze” on and off.

“super” display 7 indicates that “fast freeze” is on. “Fast freeze” freezes large quantities of fresh food and, depending on the quantity, should be switched on up to **24 hours before the fresh food is placed** in the freezer compartment.

After being switched on, the refrigerating unit runs constantly and the freezer compartment drops to a very low temperature.

“Fast freeze” switches off automatically when the fresh food has frozen solid (after several hours for small quantities of food,

after no more than two days for large quantities of food).

If you forgot to put the food in the freezer compartment, “fast freeze” switches off after approx. 26 hours.

4 “freezer” button

Indicates the current temperature in the freezer compartment on Display 8.

5 “cooler” button

Indicates the current temperature in the refrigerator compartment on Display 8.

6 “◇” Temperature selection button

a) Setting the temperature in the freezer compartment

Press first “freezer” button 4, then press “◇” button 6 .
The preset temperature is displayed for 5 seconds in display 8.

Press the selection button repeatedly or continuously until the desired temperature is displayed. The value last selected is stored. (The temperature selection is displayed consecutively from -16°C to -24°C . -16°C is redisplayed after -24°C .)

b) Setting the temperature in the refrigerator compartment

Press first “cooler” button 5, then press “◇” button 6. The preset temperature is displayed for 5 seconds in display 8.

Press the selection button repeatedly or continuously until the desired temperature is displayed. The value last selected is stored.

(The temperature selection is displayed consecutively from $+11^{\circ}\text{C}$ to $+2^{\circ}\text{C}$. $+11^{\circ}\text{C}$ is redisplayed after $+2^{\circ}\text{C}$.)

7 “super” display

Illuminates only when “fast freeze” is on.

8 Temperature display

(displays 5 different temperatures)

a) Current temperature in freezer compartment

(press “freezer” button first)

b) Temperature selection for freezer compartment

(press “freezer” button first)

When selection button 6 is pressed, the temperature selection is displayed for five sec. Then the “current temperature in the freezer compartment” is redisplayed.

c) “Warmest temperature” in the freezer compartment

(press “freezer” button first)

If display 8 flashes, the freezer compartment became too warm due to a power failure or a malfunction.

When the “~~4~~” is pressed, the warmest temperature reached in the freezer compartment is indicated on display 8 for five sec.

This value is then cleared – display 8 then indicates the “current temperature in the freezer compartment” without flashing.

Henceforth the “warmest temperature” will be redefined and stored.

d) Current temperature in refrigerator compartment

(first press “cooler” button).

e) Temperature selection for refrigerator compartment

(first press “cooler” button).

When selection button 6 is pressed, the temperature selection is displayed for five sec. Then the “current temperature in the refrigerator compartment” is redisplayed.

Note ambient temperature and ventilation

The climatic class can be found on the rating plate and specifies the ambient temperatures at which the appliance may be operated.

Climatic class	Permitted ambient temperature
SN	+10 °C to 32 °C
N	+16 °C to 32 °C
ST	+18 °C to 38 °C
T	+18 °C to 43 °C

Ventilation

The air at the back of the appliance will heat up. This warm air must be allowed to freely escape, otherwise the refrigerating machine must perform more. This raises electricity consumption. Hence, the air-inlet and outlet apertures should never be covered or blocked off!

Connecting the appliance

After installing the appliance, you should wait at least ½ hour before switching on the appliance. While the appliance is being transported, the oil in the compressor may leak into the refrigeration system.

Clean the interior of the appliance before using for the first time (see “Cleaning”).

The mains socket should be easily accessible. Connect the appliance to a 220–240 V/50 Hz AC mains supply at a correctly installed socket. The socket must be equipped with a fuse protection rated 10 A or higher.

If the appliance is to be operated in a non-European country, check that the voltage and current type indicated on the rating plate correspond with the specifications of your power supply. The rating plate is situated in the bottom left-hand side of the appliance. The mains connection cable may be replaced by an electrician only.

Warning!

The appliance may not, under any circumstances, be connected to electronic energy-saving plugs (e.g. Ecoboy; Sava Plug) and to power inverters which convert direct current to 230 V alternating current (e.g. solar energy systems, power networks on ships).

Switching on the appliance

Fig. 2

Press main switch 1, press “freezer” button 4. Warning signal is emitted. If the temperature is warmer than 19 °C, “-” is displayed.

If the temperature is colder, “°C” is displayed and display 8 flashes simultaneously.

Press button “❄️”, the warning signal stops (display 8 stops flashing). If the refrigerator compartment temperature is to be displayed, press “cooler” button 5.

The appliance left the factory with the following standard settings:

Refrigerator compartment temperature:

+6 °C

Freezer compartment temperature:

-18 °C

We recommend a setting of +4 °C.

Perishable food should not be stored warmer than +4 °C.

Notes:

Fig. 3

It is quite normal for condensation or hoarfrost to form on the inside of the rear panel. The hoarfrost thaws automatically and runs into the evaporation pan via the condensation channel.

Keep the condensation channel and outlet clean, as the condensation must be able to drain away.

Heat must be able to escape at the rear of the appliance. NEVER cover or block the ventilation openings.

Switching off and disconnecting the appliance

Switching off the appliance

- Press the main switch **Fig. 2/1**. Refrigerating unit and interior light switch off.

Disconnecting the appliance

If the appliance is not to be used for a prolonged period:

- Pull out the mains plug
- Defrost and clean the appliance
- Leave the appliance doors open.

Rearranging the interior

If required, the interior shelves and the door containers can be repositioned: pull the shelf forwards, lower and swivel out sideways **Fig. 4**. Lift the container and remove **Fig. 5**.

Special features

(not all models)

“Vario” shelf

Fig. 6

The front half of the “Vario” shelf can be pushed back to provide more space for taller items on the shelf below.

Small accessories holder

Figs. 7 and 8

Small bottles, containers, etc. can be prevented from falling over by wedging them into the holder.

Drawer for cold meats and cheese

Fig. 9

To remove the drawer, lift and pull out. The holder can be moved.

Bottle holder

Fig. 10

The bottle holder prevents bottles from falling over when the door is opened and closed.

Vegetable container with temperature and humidity regulator

Fig. 11

For long-term storage:
Rotate regulator in a clockwise direction to open the vent and drop the temperature.

For short-term storage:
Rotate regulator in an anti-clockwise direction to close the vent and increase the temperature and humidity.

Butter and cheese compartment

Figure 12

Usable capacity

According to the current standard the usable capacity **excluding interior features** is:

For the whole appliance:

KIE 26../KI26E..	226 l
KIE 28../KI28E..	262 l
KIE 30../KI30E..	265 l

Freezer compartment:

KIE 26../KI26E..	61 l
KIE 28../KI28E..	74 l
KIE 30../KI30E..	61 l

The usable capacity **including interior features** is:

For the whole appliance:

KIE 26../KI26E..	209,0 l
KIE 28../KI28E..	238,5 l
KIE 30../KI30E..	249,0 l

Freezer compartment:

KIE 26../KI26E..	51,0 l
KIE 28../KI28E..	57,5 l
KIE 30../KI30E..	51,0 l

Storing of food

Take note of the cold zones in the refrigerating zone!

Due to the air circulation in the refrigerating zone, zones with different temperatures are produced:

- **Coldest zones**

are on the rear walls and are found, according to model, between the printed side arrows and the glass shelf below **Fig. 13/A** or between both arrows **Fig. 13/B**.

Note: Store the most sensitive foods in the coldest zones (e.g. fish, sausage, meat).

- **Warmest zone**

is near the door at the top.

Note: Store the following in the warmest zone, e.g. cheese and butter. When serving, the cheese keeps its aroma and the butter remains spreadable.

When storing the food, note

that food is well wrapped or covered over. In this way, the aroma, colour and freshness remain. Apart from which, the transfer of taste and dying of plastic parts is avoided.

We recommend that you arrange the food inside the refrigerator as follows:

- **in the freezer compartment:**
deep-frozen goods, ice-cubes, ice-cream
- **on the shelves in the main refrigerator section** (from the top down): bakery products, ready-to-eat items, dairy products, meat and salami
- **in the vegetable containers:**
vegetables, lettuce, fruit
- **in the door racks** (from the top down): butter, cheese, eggs, tubes, small bottles, large bottles, milk and fruit-juice cartons.

Freezing

The freezer compartment is designed for

- Freezing and storing frozen food.
- making ice cubes.

Risk of injury

Do NOT touch frozen food with wet hands. Your hands could stick to the frozen food.

Freezer burns

Due to the very low temperature do NOT put ice directly from the freezer compartment into your mouth.

Warning

Do NOT freeze canned or bottled drinks or carbonated beverages – bottles and tins will explode.

Purchasing frozen food

The packaging must not be damaged.

Note the sell-by date.

The temperature in the supermarket freezer should be -18°C or lower.

If possible, take frozen food home in a cold bag and place quickly in the freezer compartment.

Making ice

Warning

Do NOT use an electric ice-cream maker in the freezer compartment.

Making ice cubes

Ice-cube trays are available from specialist outlets.

Fill ice-cube tray $\frac{3}{4}$ full of water and place in the freezer compartment. To loosen the ice cubes, hold ice-cube tray under running water or twist it slightly.

Freezing food

Freezing capacity:

**maximum 11 kg within 24 hours
(on the wire shelves).**

Food should be frozen solid as quickly as possible. To retain vitamins, nutritional value, appearance and flavour, do not exceed max. freezing capacity. If freezing food in the freezer drawers, the max. freezing capacity is reduced slightly.

Several hours before placing fresh food in the freezer compartment, switch on "fast freeze".

Warning

Do NOT wrap food or seal containers with materials which are a health hazard.

The following products are suitable for wrapping/packing food:

Plastic film, polyethylene blown film, aluminium foil and freezer boxes.

The following products are suitable for sealing the wrapped food:

Rubber bands, plastic clips, string, cold-resistant adhesive tape.

Do NOT bring food which is to be frozen into contact with food which is already frozen.

Storing frozen food

- To ensure good air circulation in the appliance, push in the freezer drawers all the way.
- If a large quantity of food is to be placed in the freezer compartment, the food can be stacked directly on the wire shelves. To remove the freezer drawers, pull out all the way, lift at the front and remove **Fig. 14**.

Frozen-food calendar

Fig. 15

(not all models)

The figures next to the symbols indicate how many months the frozen food can be stored for. Use by the "best before" date.

Ice packs

Fig. 16

(Not supplied with all models; when supplied, quantity varies).

In the event of a power failure or malfunction, the refreezable ice packs delay the thawing of the frozen food being stored. This is most effectively achieved,

and energy consumption is minimized, by placing the refreezable ice packs in the top compartment directly on the food. The refreezable ice packs can also be used to temporarily keep food cool, e.g. in a cooling bag.

Thawing and cleaning the appliance

Clean the refrigerator compartment once a month. The freezer compartment should be cleaned whenever the appliance is defrosted.

⚠ Risk of electric shock

NEVER use a steam cleaner. If live components come into contact with condensing steam, they may short-circuit or cause an electric shock.

Do not remove hoarfrost with a knife or pointed implement.

Do not damage the refrigeration tubing. Leaking refrigerant may cause eye injuries and is flammable.

Do NOT place any electric appliances or naked flames in the appliance.

Freezer compartment

- Store the freezer drawers (except the middle one) and the food in a cool location. Place the ice block (if enclosed) on the food.
- Pull out the mains plug or trip the fuse.
- **Empty the middle drawer and leave in the appliance to catch the water, Fig. 17.**
- When the freezer compartment has defrosted, empty the water which has collected in the freezer drawer. Mop up any water in the bottom of the freezer

compartment with a sponge. Clean the appliance.

- Re-insert the mains plug and/or reset the fuse.

Defrosting sprays

Follow the manufacturer's instructions.

Warning

Defrosting sprays may form explosive gases and/or contain solvents or propellants which corrode plastic and/or may be a health hazard.

Defrosting aid

Place a pan of hot water on a base in the freezer compartment.

Refrigerator compartment

Condensation or hoarfrost forms on the inside of the rear panel. The hoarfrost thaws automatically and runs into the evaporation pan via the condensation channel **Fig. 3**.

- Pull out the mains plug or trip the fuse.
- Clean with water and a little detergent.

Warning

Clean the door seal with water only and dry thoroughly.

Water used for cleaning must not drip onto the fascia or light, or run through the drain hole into the evaporation pan.

Do NOT use abrasive or acidic cleaning agents or solvents.

The shelves and containers are not dishwasher-proof; they could warp.

Tips for saving energy

- Install the appliance in a cool, well ventilated room, but not in direct sunlight and not near a heat source (radiator, cooker, etc.). Otherwise, use an insulating plate.
- Leave warm food and drinks to cool down first.
- Thaw frozen food by placing it in the refrigerator compartment. The low temperature of the frozen food will then cool the food in the refrigerator compartment.
- Open the appliance door as briefly as possible.
- Defrost and clean the appliance.
- Occasionally clean the rear of the appliance with a vacuum cleaner or paint brush to prevent an increased power consumption.

Operating noises

Completely normal noises

Humming noise – refrigerating unit is running.

Bubbling, whirring or gurgling noises – refrigerant is flowing through the refrigeration tubing.

Clicking noise – motor is switching on or off.

Noises which can easily be eliminated

The appliance is not standing level

Please use a spirit-level to ensure that the appliance is standing level. Adjust the threaded feet or place something underneath to bring the appliance level.

The appliance is crowded

Please leave clearance between the appliance and surrounding furniture or appliances.

Drawers, baskets or storage surfaces are unsteady or stick.

Please check that the removable parts are correctly in position and reinsert if necessary.

The containers are touching

Place the bottles or containers a little apart.

Eliminating minor faults yourself

Before you call customer service:

Please check whether you can eliminate the fault yourself based on the following information.

Customer service will charge you for advice, even if the appliance is still under guarantee!

Fault	Possible cause	Remedial action
Interior light does not function; the refrigerating unit is running.	The bulb is defective.	Replace bulb <ol style="list-style-type: none"> 1. Pull out the mains plug or disconnect the fuse. 2. Slide cover grille forwards and remove. 3. Change the bulb Fig. 18/B. (Replacement bulb, 220–240 V a.c., E14 bulb holder, see defective bulb for wattage).
	The light switch is sticking Fig. 18/A .	Check whether it can be moved.
The frozen food is frozen solid.		Loosen frozen food with a blunt object. Do not use a knife or pointed object. You could damage the refrigerant tubing or the plastic surface.
There is a thick layer of frost in the freezer compartment.		Defrosting the freezer compartment (see Defrosting).

Fault	Possible cause	Remedial action
Floor of the refrigerator compartment is wet.	The condensation outlet is blocked Fig. 3 .	Clean the condensation channel and outlet (Fig. 3 , see Cleaning the appliance)
If the display, Fig. 2/8 , flashes	The freezer compartment became too warm due to a power failure or malfunction.	When the button, Fig. 2/2 , is pressed, the warmest temperature reached in the freezer compartment is displayed, Fig. 2/8 , for five sec. and then cleared. The display stops flashing. If the displayed temperature is more than +3 °C, prepare a ready meal by boiling or frying the frozen food and refreeze. No longer store the frozen produce for the max. storage period.
	The ventilation openings have been covered.	Remove obstacles.
Refrigerator has no cooling capacity.	Appliance has been switched off	Press the main switch, Fig. 2/1 .
	Power failure; the fuse has been switched off; the mains plug has not been inserted properly.	Check whether the power is on, check the fuses.

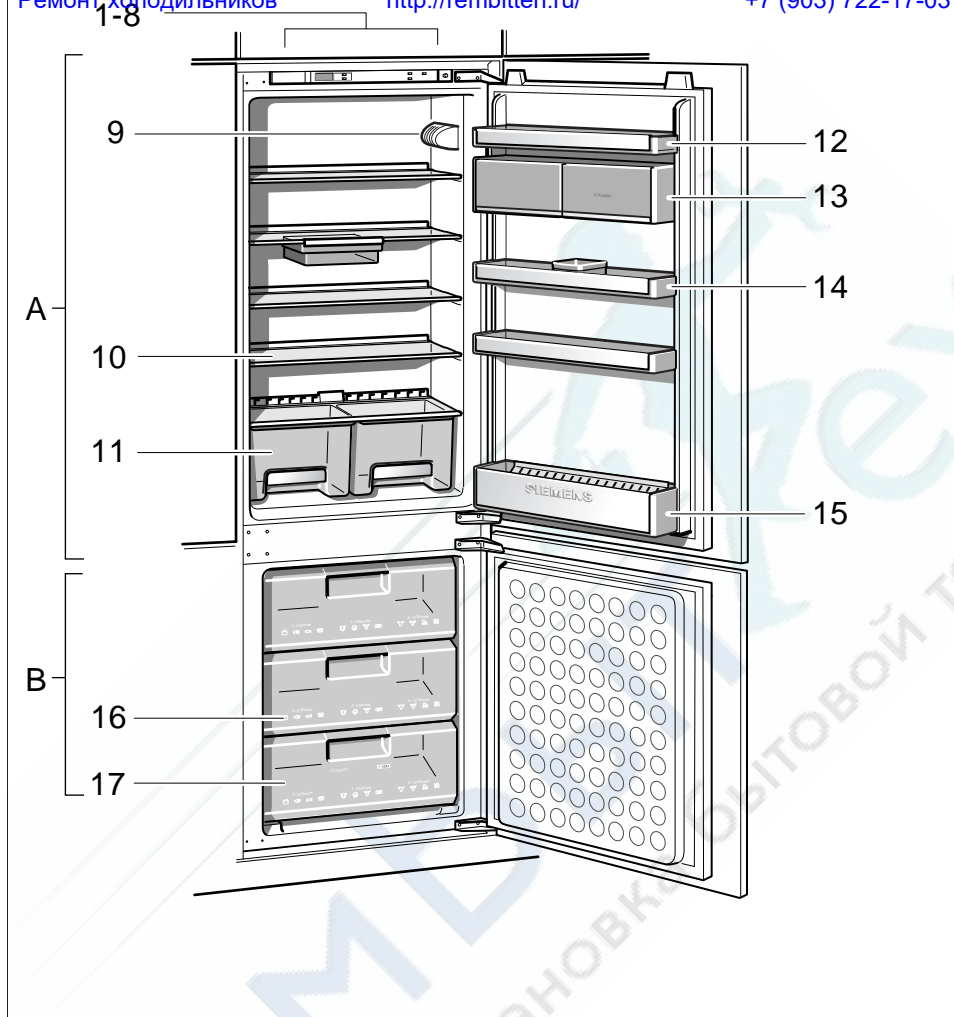
Customer service

Please check your telephone book or the customer-service list for your nearest customer-service facility. When contacting customer service, please ALWAYS quote the product number

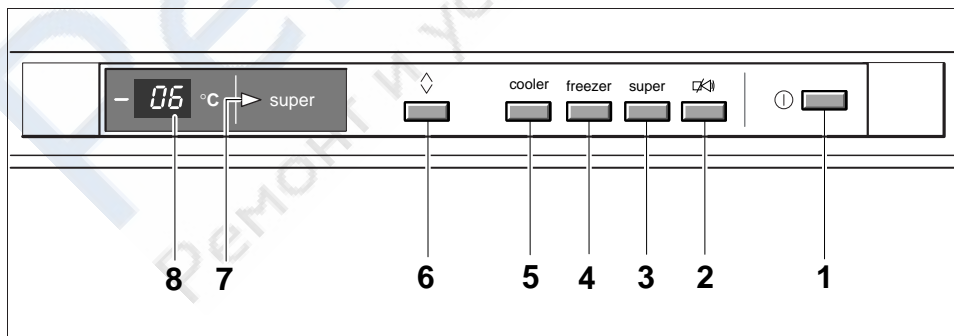
(E-number) and production number (FD-number) of your appliance.

These numbers can be found on the rating plate. **Fig. 19**

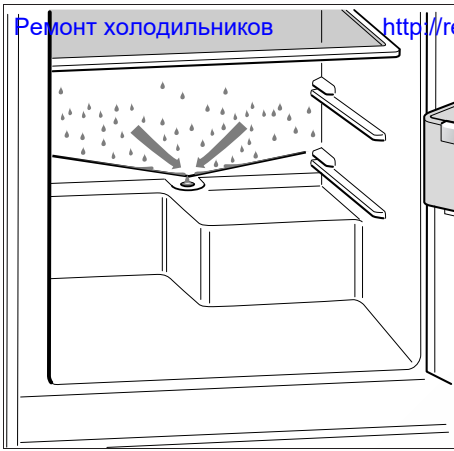
To prevent unnecessary call-outs, please assist customer service by quoting the product and production numbers. This will save you additional costs.



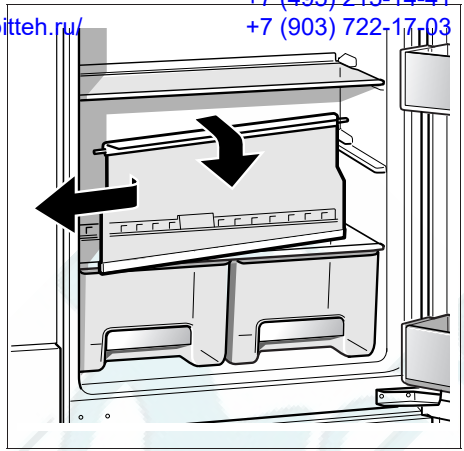
1



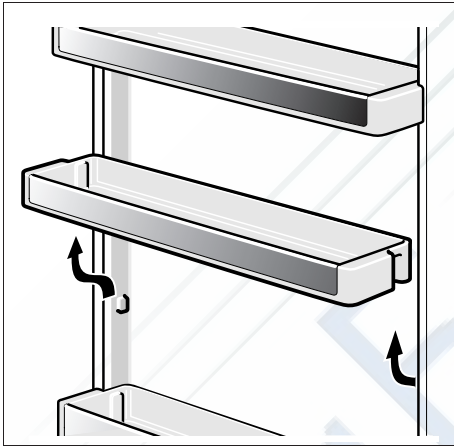
2



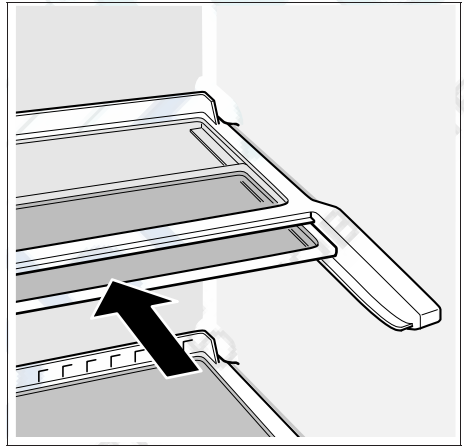
3



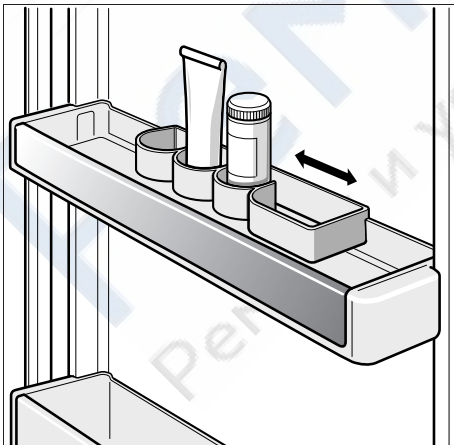
4



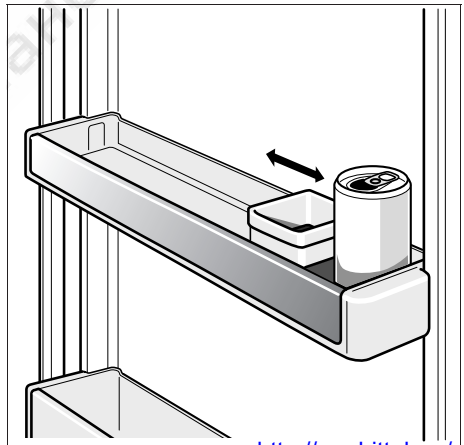
5



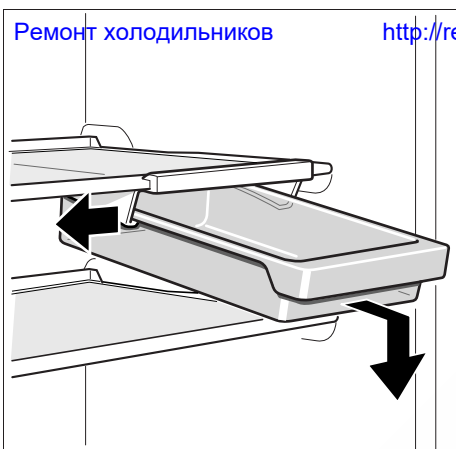
6



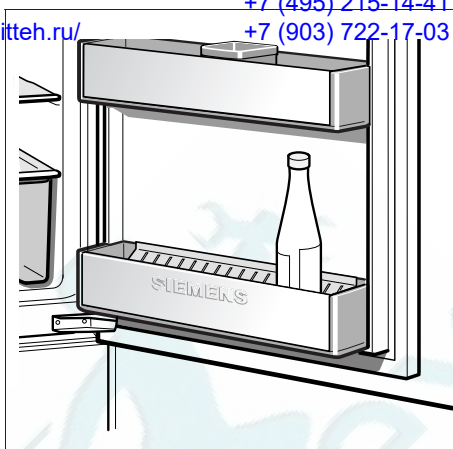
7



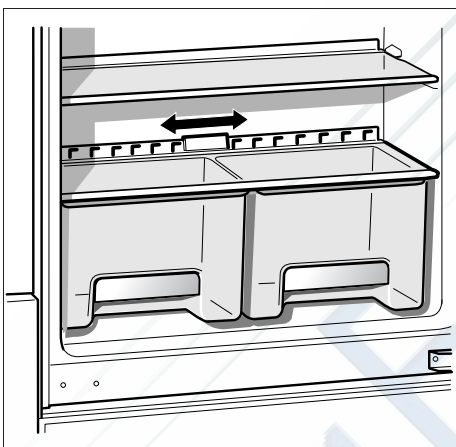
8



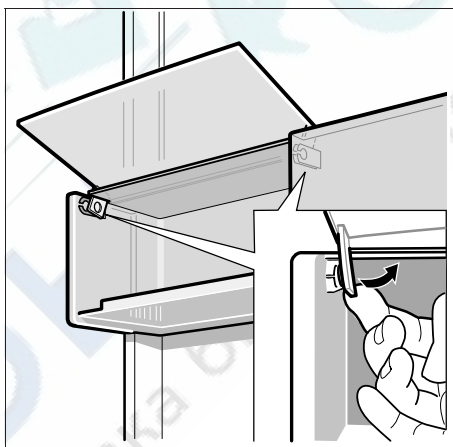
9



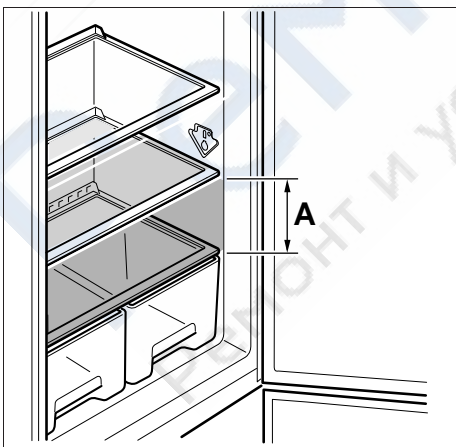
10



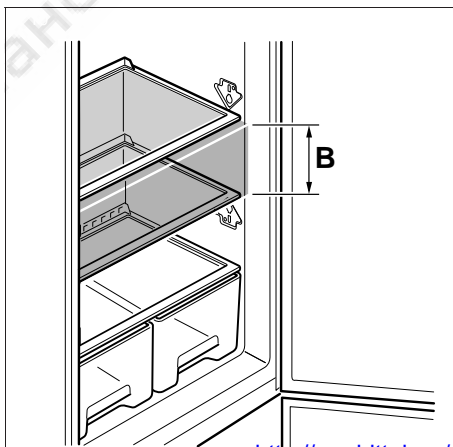
11



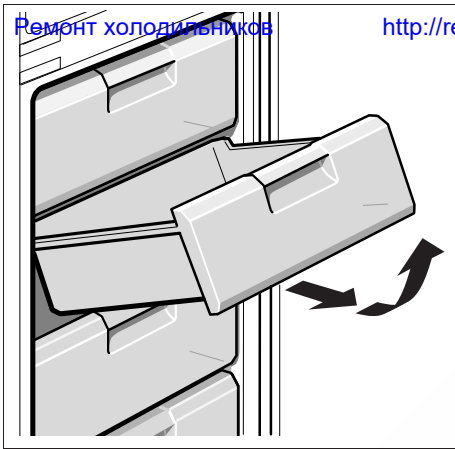
12



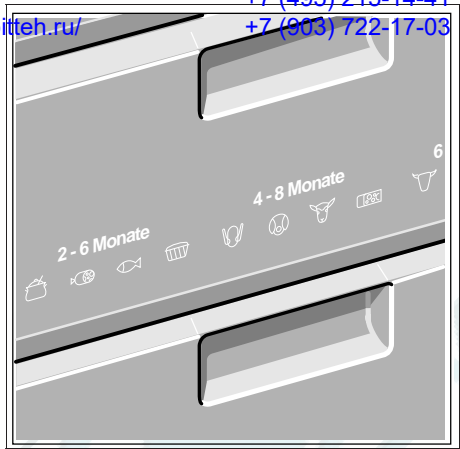
13/A



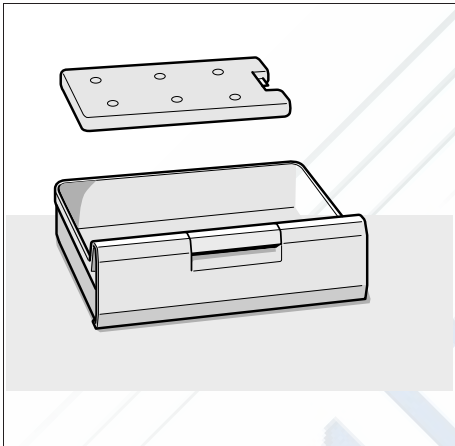
13/B



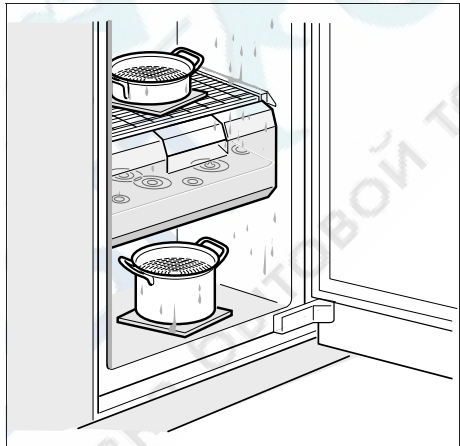
14



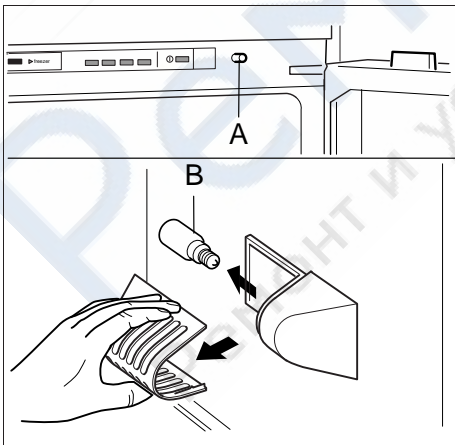
15



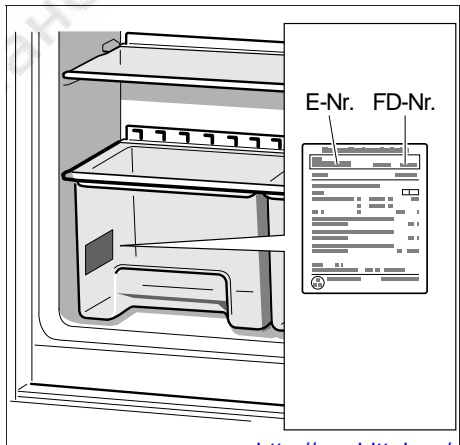
16



17



18



19

Family Line

Ремонт холодильников

<http://rembitteh.ru/>

+7 (495) 215-14-41

+7 (903) 722-17-03

01805-2223

(EUR 0,12/Min.DTAG)

Siemens-Hausgeräte

<http://www.siemens.de/hausgeraete>

VDE Testing and Certification Institute

Section FG23

Merianstrasse 28

D-63069 Offenbach

Änderungen vorbehalten.

Subject to alterations.

Sous réserve de modifications.

Salvo modifichie.

Wijzigingen voorbehouden.

Se reserva el derecho a efectuar modificaciones.

Direitos reservados quanto a alterações.

Τηρούμε το δικαίωμα αλλαγών.

Değişiklikler olabilir.

Siemens-Electrogeräte GmbH

Carl-Wery-Straße 34, 81739 München

5700 001 070 de/en/fr/it/nl/es/pt/el/tr (8407)

<http://rembitteh.ru/>